



# Product Specification

AU OPTRONICS CORPORATION

- ( ) Preliminary Specifications
- ( V ) Final Specifications

<b>Module</b>	15.4" WSXGA+ Color TFT-LCD
<b>Model Name</b>	B154SW01 V7

<p><b>Customer</b></p> <p>_____</p>	<p><b>Date</b></p> <p>_____</p>
<p><b>Checked &amp; Approved by</b></p> <p>_____</p>	
<p>Note: This Specification is subject to change without notice.</p>	

<p><b>Approved by</b></p> <p>_____</p>	<p><b>Date</b></p> <p>_____</p>
<p>Jerry Chen</p>	<p>2007/05/23</p>
<p><b>Prepared by</b></p> <p>_____</p>	
<p>Derrick Lee</p>	<p>2007/05/23</p>
<p>MDBU Marketing Division / AU Optronics corporation</p>	



# Product Specification

AU OPTRONICS CORPORATION

## Contents

<b>1. Handling Precautions</b> .....	<b>4</b>
<b>2. General Description</b> .....	<b>5</b>
2.1 Display Characteristics .....	5
2.2 Optical Characteristics .....	6
<b>3. Functional Block Diagram</b> .....	<b>11</b>
<b>4. Absolute Maximum Ratings</b> .....	<b>12</b>
4.1 TFT LCD Module .....	12
4.2 Backlight Unit.....	12
4.3 Absolute Ratings of Environment.....	12
<b>5. Electrical characteristics</b> .....	<b>13</b>
5.1 TFT LCD Module .....	13
5.2 Backlight Unit.....	15
<b>6. Signal Characteristic</b> .....	<b>17</b>
6.1 Pixel Format Image.....	17
6.2 The input data format.....	18
6.3 Signal Description .....	19
6.4 Interface Timing .....	22
6.5 Power ON/OFF Sequence .....	24
<b>7. Connector &amp; Pin Assignment</b> .....	<b>25</b>
7.1 TFT LCD Module .....	25
7.2 Backlight Unit.....	25
7.3 Signal for Lamp connector.....	25
<b>8. Vibration and Shock Test</b> .....	<b>26</b>
8.1 Vibration Test .....	26
8.2 Shock Test Spec: .....	26
<b>9. Reliability</b> .....	<b>27</b>
<b>10. Mechanical Characteristics</b> .....	<b>28</b>
10.1 LCM Outline Dimension .....	28
10.2 Screw Hole Depth and Center Position .....	30
<b>11. Shipping and Package</b> .....	<b>31</b>
11.1 Shipping Label Format.....	31
11.2. Carton package.....	32
11.3 Shipping package of palletizing sequence .....	32
<b>12. Appendix: EDID description</b> .....	<b>33</b>



# Product Specification

AU OPTRONICS CORPORATION

## Record of Revision

Version and Date	Page	Old description	New Description	Remark
0.1 2006/10/18	All	First Edition for Customer		
0.2 2007/05/23	1	First Edition for Customer	Final Edition for Customer	
	1	B154SW01 V7	QD15AL01 (B154SW01 V7)	



## Product Specification

AU OPTRONICS CORPORATION

### 1. Handling Precautions

- 1) Since front polarizer is easily damaged, pay attention not to scratch it.
- 2) Be sure to turn off power supply when inserting or disconnecting from input connector.
- 3) Wipe off water drop immediately. Long contact with water may cause discoloration or spots.
- 4) When the panel surface is soiled, wipe it with absorbent cotton or other soft cloth.
- 5) Since the panel is made of glass, it may break or crack if dropped or bumped on hard surface.
- 6) Since CMOS LSI is used in this module, take care of static electricity and insure human earth when handling.
- 7) Do not open nor modify the Module Assembly.
- 8) Do not press the reflector sheet at the back of the module to any directions.
- 9) In case if a Module has to be put back into the packing container slot after once it was taken out from the container, do not press the center of the CCFL Reflector edge. Instead, press at the far ends of the CFL Reflector edge softly. Otherwise the TFT Module may be damaged.
- 10) At the insertion or removal of the Signal Interface Connector, be sure not to rotate nor tilt the Interface Connector of the TFT Module.
- 11) After installation of the TFT Module into an enclosure (Notebook PC Bezel, for example), do not twist nor bend the TFT Module even momentary. At designing the enclosure, it should be taken into consideration that no bending/twisting forces are applied to the TFT Module from outside. Otherwise the TFT Module may be damaged.
- 12) Cold cathode fluorescent lamp in LCD contains a small amount of mercury. Please follow local ordinances or regulations for disposal.
- 13) Small amount of materials having no flammability grade is used in the LCD module. The LCD module should be supplied by power complied with requirements of Limited Power Source(, IEC60950 or UL1950), or be applied exemption.
- 14) The LCD module is designed so that the CCFL in it is supplied by Limited Current Circuit(IEC60950 or UL1950). Do not connect the CCFL in Hazardous Voltage Circuit.



## Product Specification

AU OPTRONICS CORPORATION

### 2. General Description

B154SW01 V7 is a Color Active Matrix Liquid Crystal Display composed of a TFT LCD panel, a driver circuit, and backlight system. The screen format is intended to support the WSXGA+ (1680(H) x 1050(V)) screen and 262k colors (RGB 6-bits data driver). All input signals are LVDS interface compatible. Inverter of backlight is not included.

B154SW01 V7 is designed for a display unit of notebook style personal computer and industrial machine.

### 2.1 General Specification

The following items are characteristics summary on the table at 25 condition:

Items	Unit	Specifications
Screen Diagonal	[mm]	390.8 (15.4"W)
Active Area	[mm]	331.38 X 207.11
Pixels H x V		1680 x 3(RGB) x 1050
Pixel Pitch	[mm]	0.19725X0.19725
Pixel Arrangement		R.G.B. Vertical Stripe
Display Mode		Normally White
White Luminance (I <sub>CCFL</sub> =6.0mA) Note: I <sub>CCFL</sub> is lamp current	[cd/m <sup>2</sup> ]	200 typ. (5 points average) 180 min. (5 points average) (Note1)
Luminance Uniformity		1.3 max. (5 points)
Contrast Ratio		400 typ. 300 min.
Optical Rise Time/Fall Time	[msec]	6/10 typ.
Nominal Input Voltage VDD	[Volt]	+3.3 typ.
Power Consumption	[Watt]	2.5 max.(without inverter)
Weight (with Inverter)	[Grams]	620 max.
Physical Size	[mm]	344.0 typ. x 222.0 typ. x 6.5 max.
Electrical Interface		2 channel LVDS
Surface Treatment		Anti-glare, Hardness 3H



## Product Specification

AU OPTRONICS CORPORATION

Support Color		262K colors ( RGB 6-bit )
Temperature Range Operating Storage (Non-Operating)	[°C] [°C]	0 to +50 -20 to +60
RoHS Compliance		RoHS Compliance

### 2.2 Optical Characteristics

The optical characteristics are measured under stable conditions at 25 (Room Temperature):

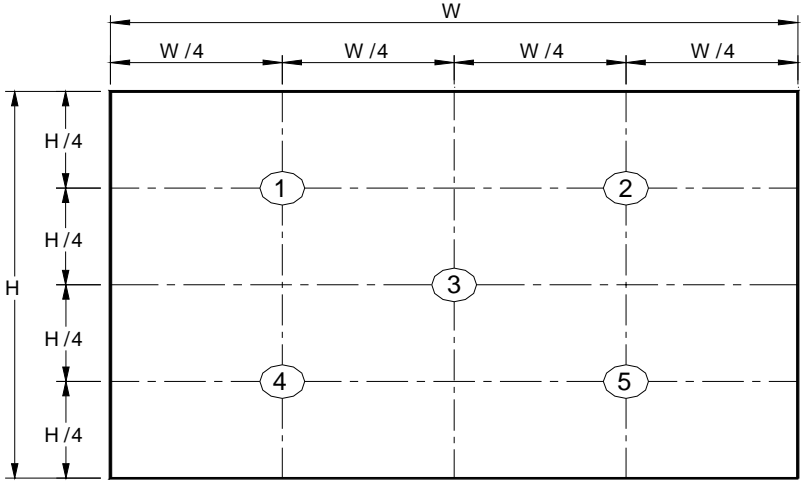
Item	Unit	Conditions	Min.	Typ.	Max.	Note
White Luminance I <sub>CCFL</sub> =6.0mA	[cd/m <sup>2</sup> ]	5 points average	180	200	-	1, 4, 5.
Viewing Angle	[degree]	Horizontal (Right) CR = 10 (Left)	60	65	-	8
	[degree]		60	65	-	
	[degree]	Vertical (Upper) CR = 10 (Lower)	40	45	-	
	[degree]		50	55	-	
Luminance Uniformity		5 Points			1.3	1
Luminance Uniformity		13 Points			1.52	2
CR: Contrast Ratio			300:1	400:1	-	6
Cross talk	%				4	7
Response Time	[msec]	Rising	-	6	8	8
	[msec]	Falling	-	10	17	
	[msec]	Rising + Falling		16	25	
Color / Chromaticity Coordinates (CIE 1931)		Red x	0.556	0.576	0.596	2,8
		Red y	0.310	0.330	0.350	
		Green x	0.292	0.312	0.332	
		Green y	0.530	0.550	0.570	
		Blue x	0.141	0.161	0.181	
		Blue y	0.128	0.148	0.168	
		White x	0.293	0.313	0.333	
		White y	0.309	0.329	0.349	



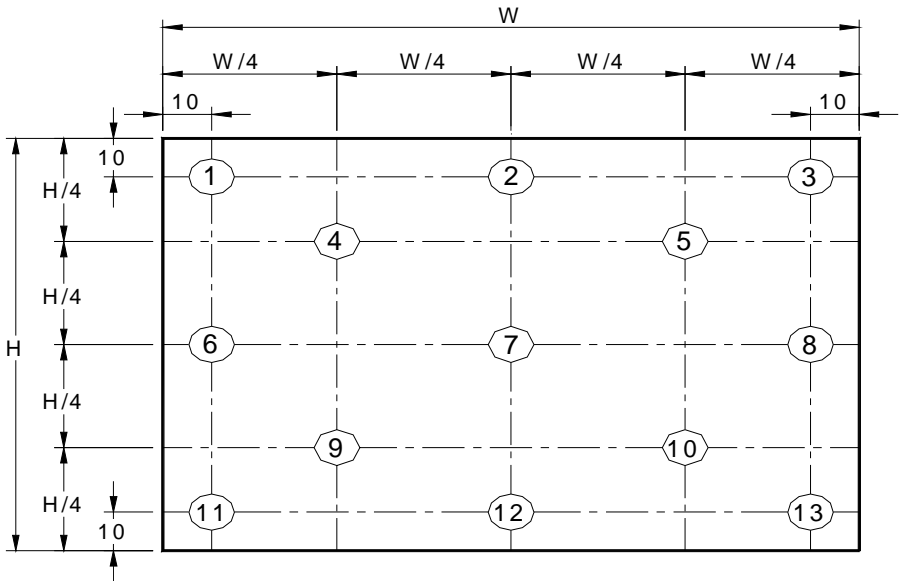
# Product Specification

AU OPTRONICS CORPORATION

Note 1: 5 points position (Display area : 331.38mm x 207.11mm)



Note 2: 13 points position



Note 3: The luminance uniformity of 5 and 13 points is defined by dividing the maximum luminance values by the minimum test point luminance

$$W_5 = \frac{\text{Maximum Brightness of five points}}{\text{Minimum Brightness of five points}}$$

$$W_{13} = \frac{\text{Maximum Brightness of thirteen points}}{\text{Minimum Brightness of thirteen points}}$$

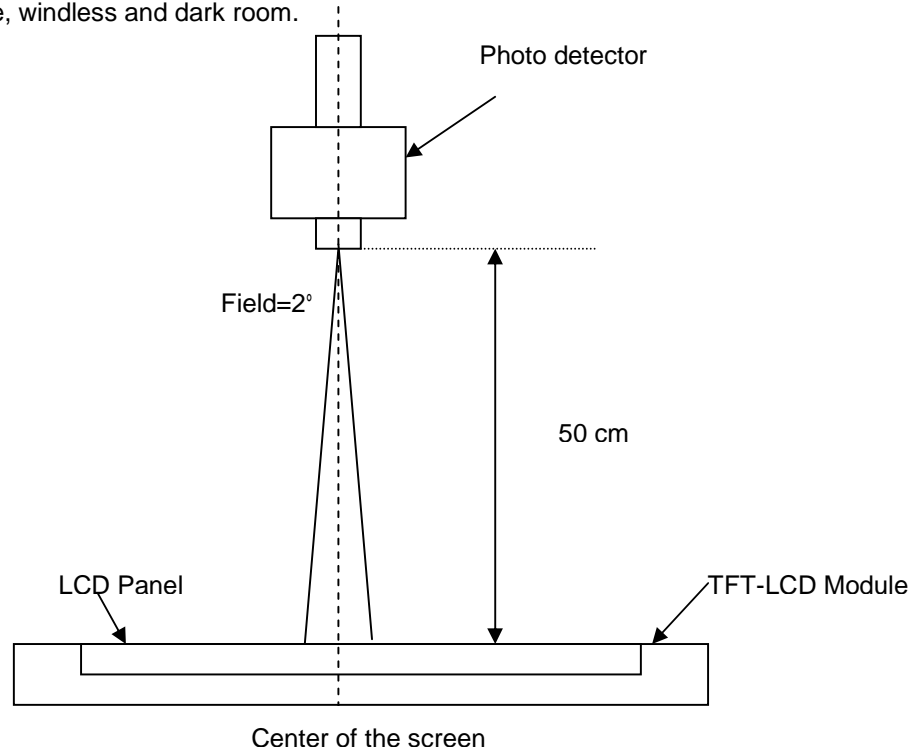
Note 4: Measurement method



## Product Specification

AU OPTRONICS CORPORATION

The LCD module should be stabilized at given temperature for 30 minutes to avoid abrupt temperature change during measuring. In order to stabilize the luminance, the measurement should be executed after lighting Backlight for 30 minutes in a stable, windless and dark room.



Note 5 : Definition of Average Luminance of White ( $Y_L$ ):

Measure the luminance of gray level 63 at 5 points ,  $Y_L = [L(1) + L(2) + L(3) + L(4) + L(5)] / 5$

$L(x)$  is corresponding to the luminance of the point X at Figure in Note (1).

Note 6 : Definition of contrast ratio:

Contrast ratio is calculated with the following formula.

$$\text{Contrast ratio (CR)} = \frac{\text{Brightness on the "White" state}}{\text{Brightness on the "Black" state}}$$

Note 7 : Definition of Cross Talk (CT)

$$CT = |Y_B - Y_A| / Y_A \times 100 (\%)$$

Where

$Y_A$  = Luminance of measured location without gray level 0 pattern ( $\text{cd/m}^2$ )





# Product Specification

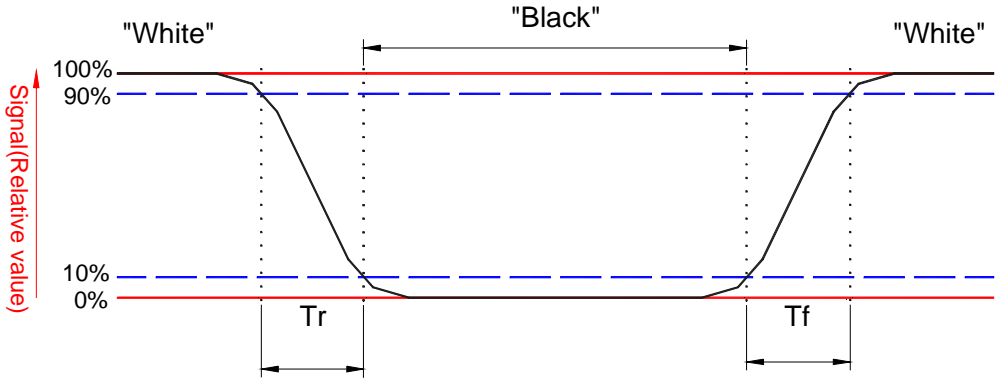
AU OPTRONICS CORPORATION

$Y_B$  = Luminance of measured location with gray level 0 pattern (cd/m<sup>2</sup>)



Note 8: Definition of response time:

The output signals of BM-7 or equivalent are measured when the input signals are changed from "Black" to "White" (falling time) and from "White" to "Black" (rising time), respectively. The response time interval between the 10% and 90% of amplitudes. Refer to figure as below.



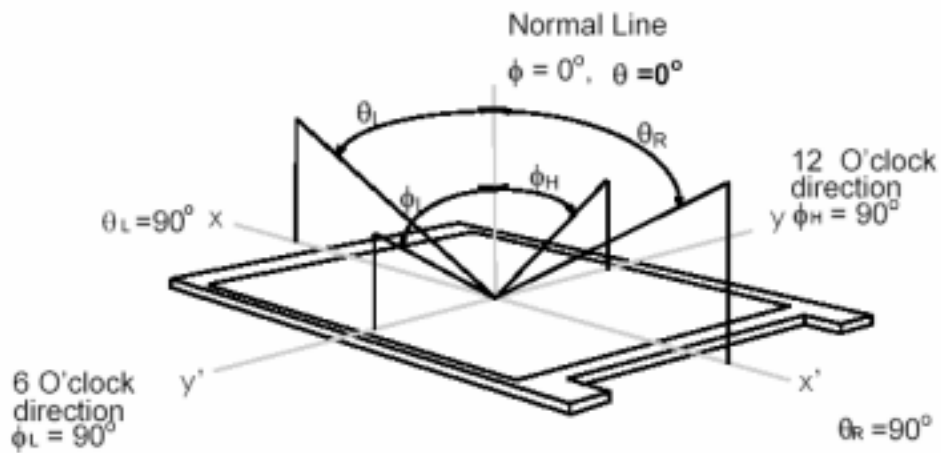


# Product Specification

AU OPTRONICS CORPORATION

## Note 8. Definition of viewing angle

Viewing angle is the measurement of contrast ratio 10, at the screen center, over a 180° horizontal and 180° vertical range (off-normal viewing angles). The 180° viewing angle range is broken down as follows; 90° ( ) horizontal left and right and 90° ( ) vertical, high (up) and low (down). The measurement direction is typically perpendicular to the display surface with the screen rotated about its center to develop the desired measurement viewing angle.



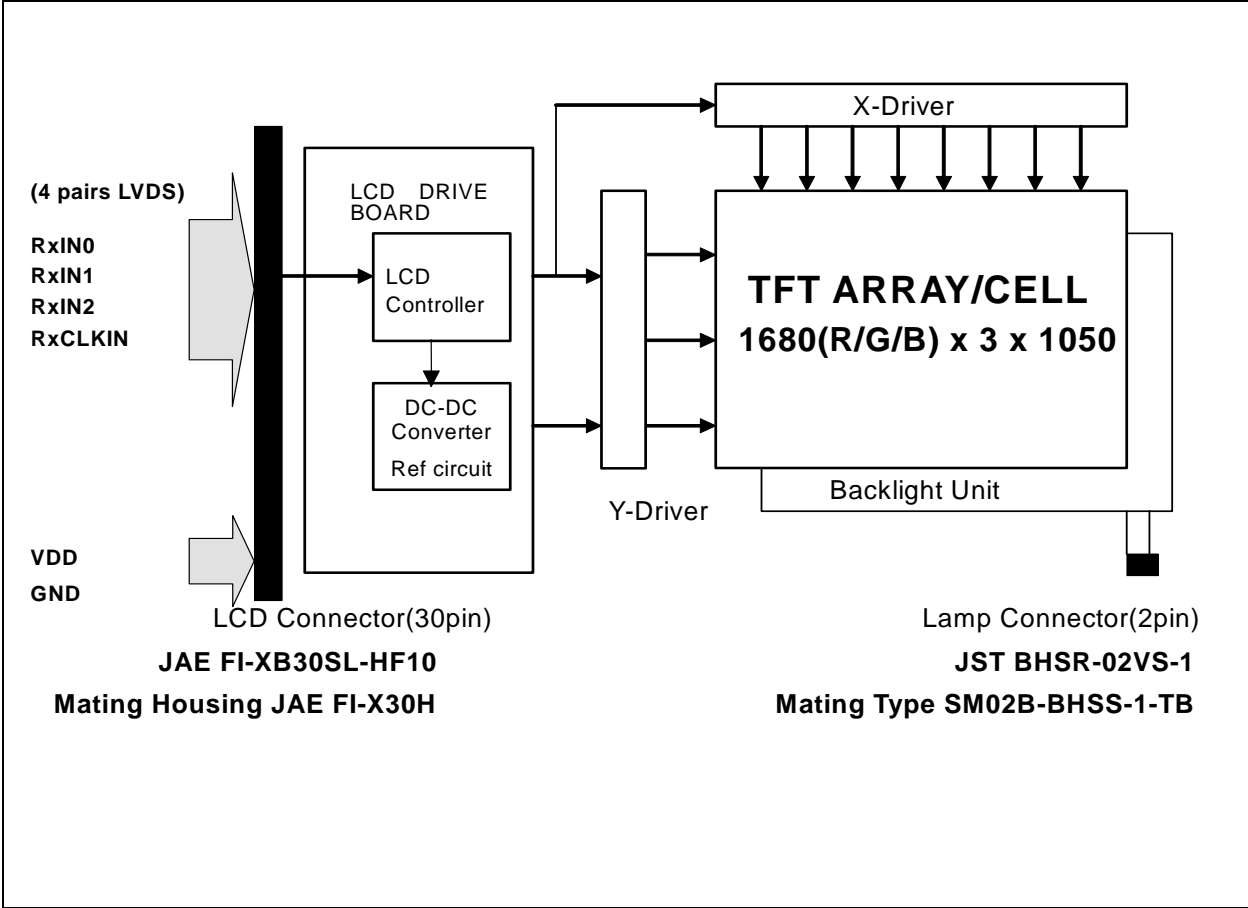


# Product Specification

AU OPTRONICS CORPORATION

## 3. Functional Block Diagram

The following diagram shows the functional block of the 15.4 inches wide Color TFT/LCD Module:





# Product Specification

AU OPTRONICS CORPORATION

## 4. Absolute Maximum Ratings

Absolute maximum ratings of the module is as following:

### 4.1 Absolute Ratings of TFT LCD Module

Item	Symbol	Min	Max	Unit	Conditions
Logic/LCD Drive Voltage	Vin	-0.3	+4.0	[Volt]	Note 1,2

### 4.2 Absolute Ratings of Backlight Unit

Item	Symbol	Min	Max	Unit	Conditions
CCFL Current	ICCFL	-	7.0	[mA] rms	Note 1,2

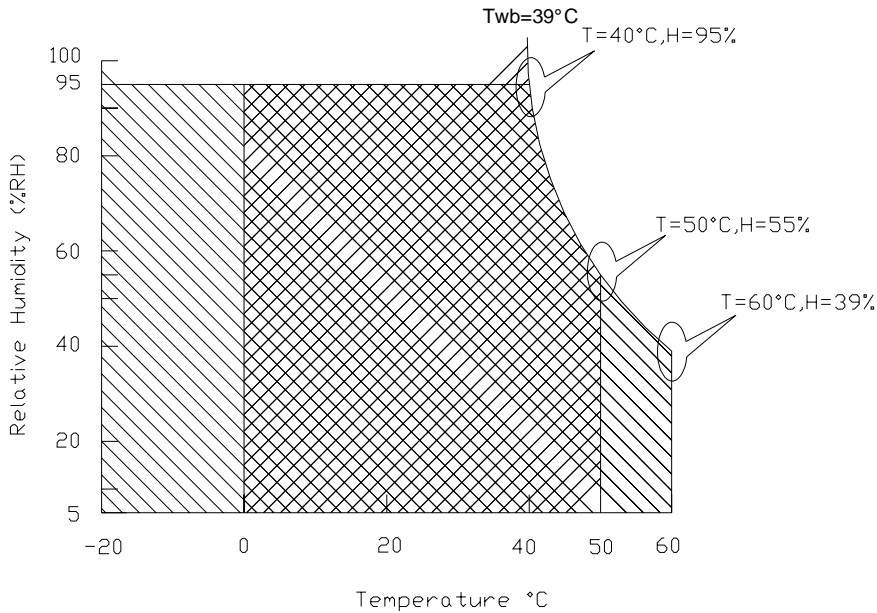
### 4.3 Absolute Ratings of Environment

Item	Symbol	Min	Max	Unit	Conditions
Operating Temperature	TOP	0	+50	[°C]	Note 3
Operation Humidity	HOP	5	95	[%RH]	Note 3
Storage Temperature	TST	-20	+60	[°C]	Note 3
Storage Humidity	HST	5	95	[%RH]	Note 3

Note 1: At Ta (25 )

Note 2: Permanent damage to the device may occur if exceed maximum values

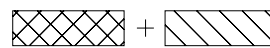
Note 3: For quality performance, please refer to AUO IIS(Incoming Inspection Standard).



Operating Range



Storage Range





# Product Specification

AU OPTRONICS CORPORATION

## 5. Electrical characteristics

### 5.1 TFT LCD Module

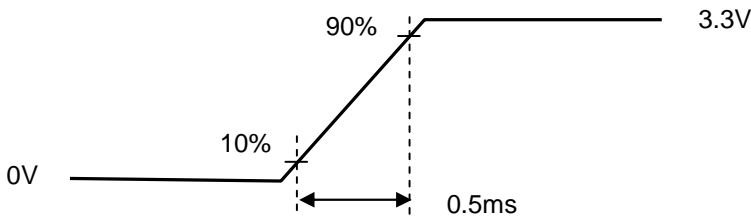
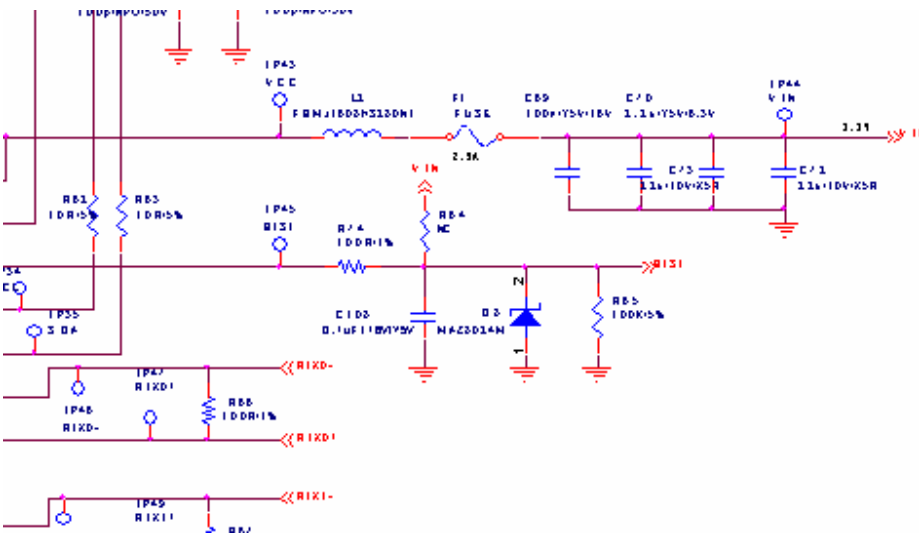
#### 5.1.1 Power Specification

Input power specifications are as follows;

Symble	Parameter	Min	Typ	Max	Units	Note
VDD	Logic/LCD Drive Voltage	3.0	3.3	3.6	[Volt]	
PDD	VDD Power			2.5	[Watt]	Note 1
IDD	IDD Current		700	800	[mA]	Note 1
IRush	Inrush Current			2000	[mA]	Note 2
VDDrp	Allowable Logic/LCD Drive Ripple Voltage			100	[mV] p-p	

Note 1 : Maximum Measurement Condition : Black Patternm

Note 2 : Measure Condition



Vin rising time



## Product Specification

AU OPTRONICS CORPORATION

### 5.1.2 Signal Electrical Characteristics

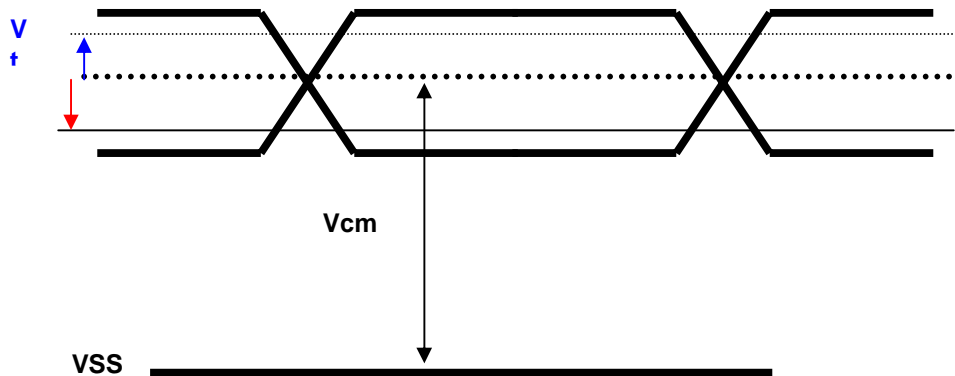
Input signals shall be low or High-impedance state when VDD is off.

It is recommended to refer the specifications of THC63LVDF84A(Thine Electronics Inc.) in detail.

Signal electrical characteristics are as follows;

Parameter	Condition	Min	Max	Unit
Vth	Differential Input High Threshold (Vcm=+1.2V)		100	[mV]
Vtl	Differential Input Low Threshold (Vcm=+1.2V)	-100		[mV]
Vcm	Differential Input Common Mode Voltage	1.125	1.375	[V]

Note: LVDS Signal Waveform





## Product Specification

AU OPTRONICS CORPORATION

### 5.2 Backlight Unit

Parameter guideline for CCFL Inverter

Parameter	Min	Typ	Max	Units	Condition
White Luminance 5 points average	180	200	-	[cd/m <sup>2</sup> ]	(Ta=25 )
CCFL current(I <sub>CCFL</sub> )	2.0	6.0	7	[mA] rms	(Ta=25 ) Note 2
CCFL Frequency(F <sub>CCFL</sub> )	50	55	60	[KHz]	(Ta=25 ) Note 3,4
CCFL Ignition Voltage(V <sub>s</sub> )	1650			[Volt] rms	(Ta= 0 ) Note 5
CCFL Ignition Voltage(V <sub>s</sub> )	1460			[Volt] rms	(Ta= 25 ) Note 5
CCFL Voltage (Reference) (V <sub>CCFL</sub> )	700	730	945	[Volt] rms	(Ta=25 ) Note 6
CCFL Power consumption (P <sub>CCFL</sub> )	-	4.38		[Watt]	(Ta=25 ) Note 6

Note 1: Typ are AUO recommended Design Points.

- \*1 All of characteristics listed are measured under the condition using the AUO Test inverter.
- \*2 In case of using an inverter other than listed, it is recommended to check the inverter carefully. Sometimes, interfering noise stripes appear on the screen, and substandard luminance or flicker at low power may happen.
- \*3 In designing an inverter, it is suggested to check safety circuit very carefully. Impedance of CCFL, for instance, becomes more than 1 [M ohm] when CFL is damaged.
- \*4 Generally, CCFL has some amount of delay time after applying kick-off voltage. It is recommended to keep on applying kick-off voltage for 1 [Sec] until discharge.
- \*5 CCFL discharge frequency must be carefully chosen so as not to produce interfering noise stripes on the screen.
- \*6 Reducing CCFL current increases CCFL discharge voltage and generally increases CCFL discharge frequency. So all the parameters of an inverter should be carefully designed so as not to produce too much leakage current from high-voltage output of the inverter.

Note 2: It should be employed the inverter which has "Duty Dimming", if ICCFL is less than 4mA.

Note 3: CCFL discharge frequency should be carefully determined to avoid interference between inverter and TFT LCD.

Note 4: The frequency range will not affect to lamp life and reliability characteristics.



## Product Specification

AU OPTRONICS CORPORATION

Note 5: CCFL inverter should be able to give out a power that has a generating capacity of over 1,430 voltage.

Lamp units need 1,400 voltage minimum for ignition.

Note 6: Calculator value for reference ( $I_{CCFL} \times V_{CCFL} = P_{CCFL}$ )

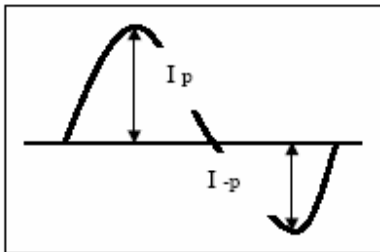
Note 7: Requirements for a system inverter design, which is intended to have a better display performance, a better power efficiency and a more reliable lamp, are following.

It shall help increase the lamp lifetime and reduce leakage current.

a. The asymmetry rate of the inverter waveform should be less than 10%.

b. The distortion rate of the waveform should be within  $2 \pm 10\%$ .

\* Inverter output waveform had better be more similar to ideal sine wave.



\* Asymmetry rate:

$$\frac{|I_p - I_{-p}|}{I_{rms}} * 100\%$$

\* Distortion rate

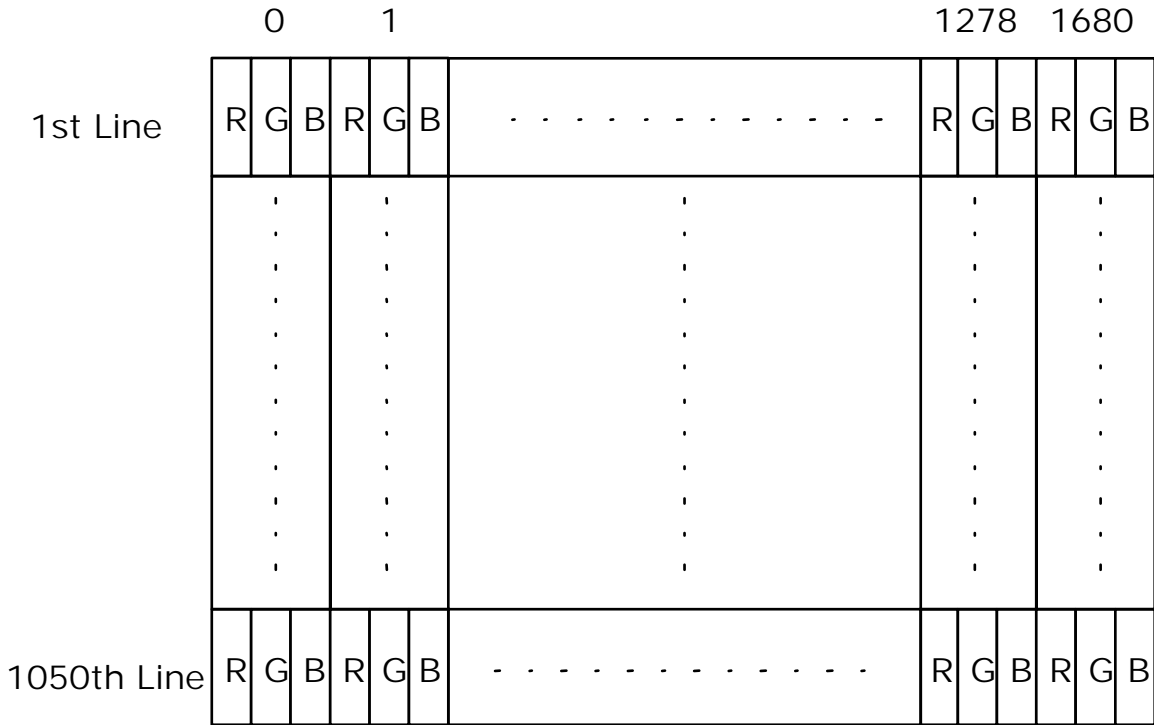
$$I_p \text{ (or } I_{-p}) / I_{rms}$$



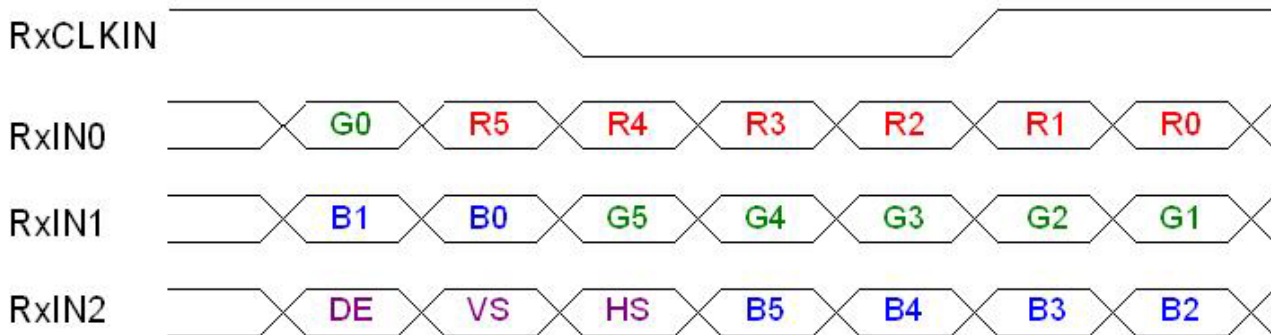
## 6. Signal Characteristic

### 6.1 Pixel Format Image

Following figure shows the relationship of the input signals and LCD pixel format.



## 6.2 The input data format



Signal Name	Description	
R5 R4 R3 R2 R1 R0	Red Data 5 (MSB) Red Data 4 Red Data 3 Red Data 2 Red Data 1 Red Data 0 (LSB)	Red-pixel Data Each red pixel's brightness data consists of these 6 bits pixel data.
G5 G4 G3 G2 G1 G0	Green Data 5 (MSB) Green Data 4 Green Data 3 Green Data 2 Green Data 1 Green Data 0 (LSB)	Green-pixel Data Each green pixel's brightness data consists of these 6 bits pixel data.
B5 B4 B3 B2 B1 B0	Blue Data 5 (MSB) Blue Data 4 Blue Data 3 Blue Data 2 Blue Data 1 Blue Data 0 (LSB)	Blue-pixel Data Each blue pixel's brightness data consists of these 6 bits pixel data.
RxCLKIN	Data Clock	The typical frequency is 64.9 MHz. The signal is used to strobe the pixel data and DE signals. All pixel data shall be valid at the falling edge when the DE signal is high.
DE	Display Timing	This signal is strobed at the falling edge of RxCLKIN. When the signal is high, the pixel data shall be valid to be displayed.
VS	Vertical Sync	The signal is synchronized to RxCLKIN .
HS	Horizontal Sync	The signal is synchronized to RxCLKIN .

Note: Output signals from any system shall be low or High-impedance state when VDD is off.

## 6.3 Signal Description/Pin Assignment

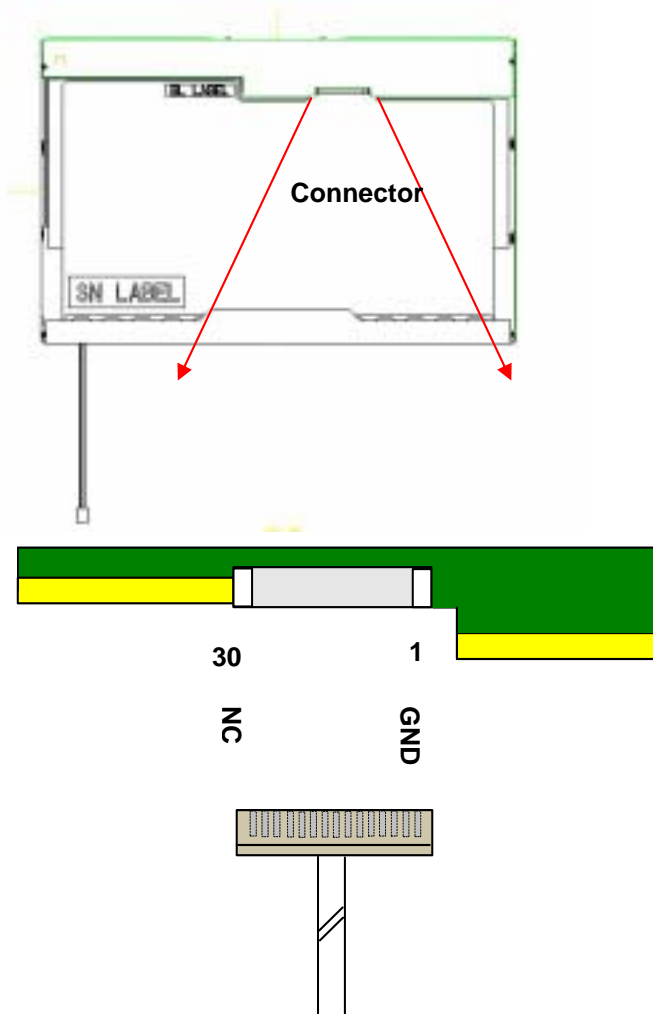
LVDS is a differential signal technology for LCD interface and high speed data transfer device.

PIN#	Signal Name	Description
1	GND	Ground
2	VDD	+3.3V Power Supply (typical)
3	VDD	+3.3V Power Supply (typical)
4	V <sub>EDID</sub>	+3.3V EDID Power
5	NC	Reserved for supplier test point
6	CLK <sub>EDID</sub>	EDID Clock Input
7	DATA <sub>EDID</sub>	EDID Data Input
8	RxIN0-	LVDS differential data input(R0-R5, G0) (odd pixels)
9	RxIN0+	LVDS differential data input(R0-R5, G0) (odd pixels)
10	GND	Ground
11	RxIN1-	LVDS differential data input(G1-G5, B0-B1) (odd pixels)
12	RxIN1+	LVDS differential data input(G1-G5, B0-B1) (odd pixels)
13	GND	Ground
14	RxIN2-	LVDS differential data input(B2-B5, HS, VS, DE) (odd pixels)
15	RxIN2+	LVDS differential data input(B2-B5, HS, VS, DE) (odd pixels)
16	GND	Ground
17	RxCLKIN-	LVDS differential clock input (odd pixels)
18	RxCLKIN+	LVDS differential clock input (odd pixels)
19	GND	Ground
20	Even_RxIN0-	LVDS differential data input (R0-R5,G0) (even pixels)
21	Even_RxIN0+	LVDS differential data input (R0-R5,G0) (even pixels)
22	GND	Ground
23	Even_RxIN1-	LVDS differential data input (G1-G5,B0-B1) (even pixels)
24	Even_RxIN1+	LVDS differential data input (G1-G5,B0-B1) (even pixels)
25	GND	Ground
26	Even_RxIN2-	LVDS differential data input (B2-B5,HS,VS,DE) (even pixels)
27	Even_RxIN2+	LVDS differential data input (B2-B5,HS,VS,DE) (even pixels)
28	GND	Ground
29	Even_RxCLKIN-	LVDS differential clock input (even pixels) , 2.1V
30	Even_RxCLKIN+	LVDS differential clock input (even pixels) , 2.1V

【Note 1】 Relation between LVDS signals and actual data shows below section(4-2).

【Note 2】 The shielding case is connected with signal GND.

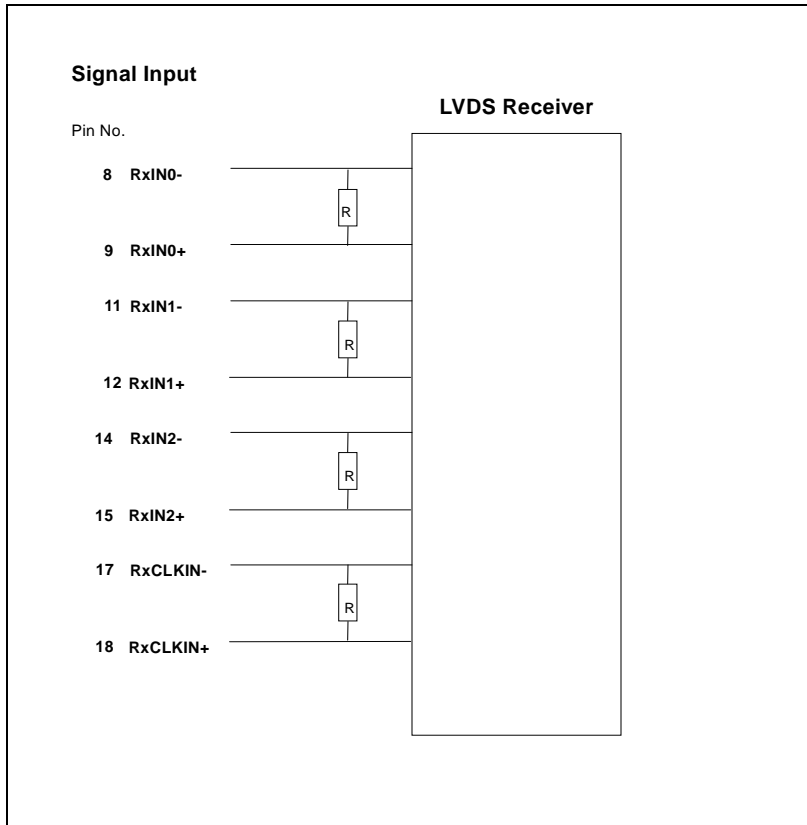
Note1: Start from right side



Note2: Input signals shall be low or High-impedance state when VDD is off.

internal circuit of LVDS inputs are as following.

The module uses a 100ohm resistor between positive and negative data lines of each receiver input





## 6.4 Interface Timing

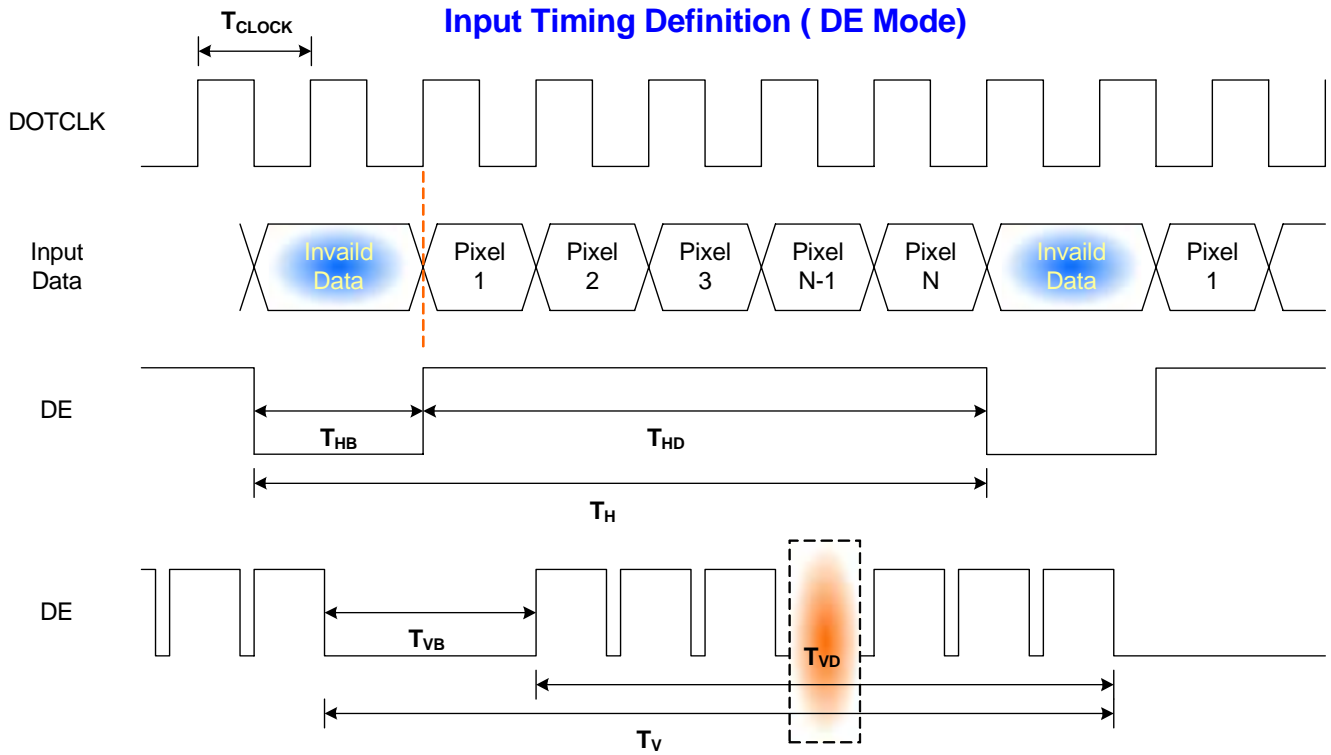
### 6.4.1 Timing Characteristics

Basically, interface timings should match the 1680x1050 /60Hz manufacturing guide line timing.

Parameter	Symbol	Min.	Typ.	Max.	Unit	
Frame Rate	-	50	60	-	Hz	
Clock frequency	$1/T_{\text{Clock}}$	40	59.5	80	MHz	
Vertical Section	Period	$T_V$	1080	1080	1080	$T_{\text{Line}}$
	Active	$T_{VD}$	1050	1050	1050	
	Blanking	$T_{VB}$	30	30	30	
Horizontal Section	Period	$T_H$	1840	1840	1840	$T_{\text{Clock}}$
	Active	$T_{HD}$	1680	1680	1680	
	Blanking	$T_{HB}$	160	160	160	

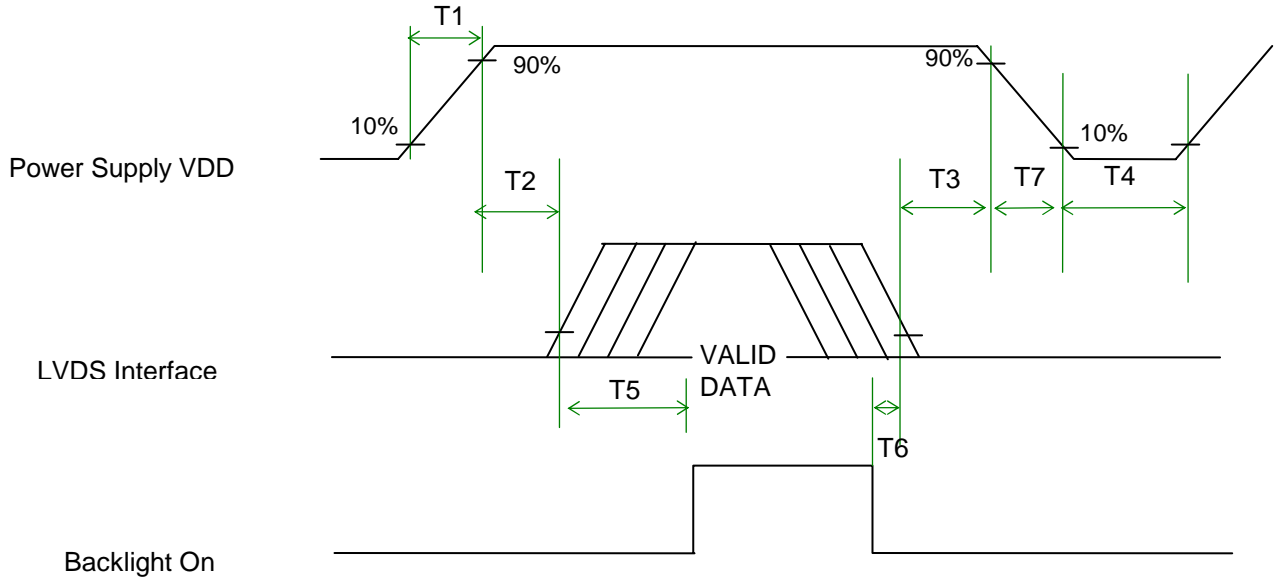
Note : DE mode only

## 6.4.2 Timing diagram



## 6.5 Power ON/OFF Sequence

VDD power and lamp on/off sequence is as follows. Interface signals are also shown in the chart. Signals from any system shall be Hi-Z state or low level when VDD is off.



### Power Sequence Timing

Parameter	Value			Units
	Min.	Typ.	Max.	
T1	0.5	-	10	(ms)
T2	0	-	50	(ms)
T3	0	-	50	(ms)
T4	400	-	-	(ms)
T5	200	-	-	(ms)
T6	200	-	-	(ms)
T7	0	-	10	(ms)



## 7. Connector Description

Physical interface is described as for the connector on module.

These connectors are capable of accommodating the following signals and will be following components.

### 7.1 TFT LCD Module

Connector Name / Designation	For Signal Connector
Manufacturer	JAE or compatible
Type / Part Number	FI-XB30SL-HF10 or compatible
Mating Housing/Part Number	FI-X30H or compatible

### 7.2 Backlight Unit

Physical interface is described as for the connector on module.

These connectors are capable of accommodating the following signals and will be following components.

Connector Name / Designation	For Lamp Connector
Manufacturer	JST
Type / Part Number	BHSR-02VS-1
Mating Type / Part Number	SM02B-BHSS-1-TB

### 7.3 Signal for Lamp connector

Pin #	Cable color	Signal Name
1	Red	Lamp High Voltage
2	White	Lamp Low Voltage



## 8. Vibration and Shock Test

### 8.1 Vibration Test

**Test Spec:**

- Test method: Non-Operation
- Acceleration: 2.16G
- Frequency: 10 - 500Hz Random
- Sweep: 30 Minutes each Axis (X, Y, Z)

### 8.2 Shock Test Spec:

**Test Spec:**

- Test method: Non-Operation
- Acceleration: 220 G , Half sine wave
- Active time: 2 ms
- Pulse: X,Y,Z .one time for each side



## 9. Reliability

Items	Required Condition	Note
Temperature Humidity Bias	40 /95%,250Hr	
High Temperature Operation	50 /Dry,250Hr	
Low Temperature Operation	0 ,250Hr	
On/Off Test	25 ,150hrs(ON/10 sec. OFF/10sec., 30,000 cycles)	
Hot Storage	60 /35% RH ,240 hours	
Cold Storage	-20 /50% RH ,240 hours	
Thermal Shock Test	-20 /30 min ,60 /30 min 100cycles	
Hot Start Test	50 /1 Hr min. power on/off per 5 minutes, 5 times	
Cold Start Test	0 /1 Hr min. power on/off per 5 minutes, 5 times	
Shock Test (Non-Operating)	200G, 2ms, Half-sine wave, 3 times for each $\pm x,y,z$ direction	
Vibration Test (Non-Operating)	Random vibration, 2.16 G zero-to-peak, 10 to 500 Hz, 30 mins in each of three mutually perpendicular axes.	
ESD	Contact : $\pm 8KV$ / operation Air : $\pm 15KV$ / operation	Note 1
Room temperature Test	25 , 2000hours, Operating with loop pattern	

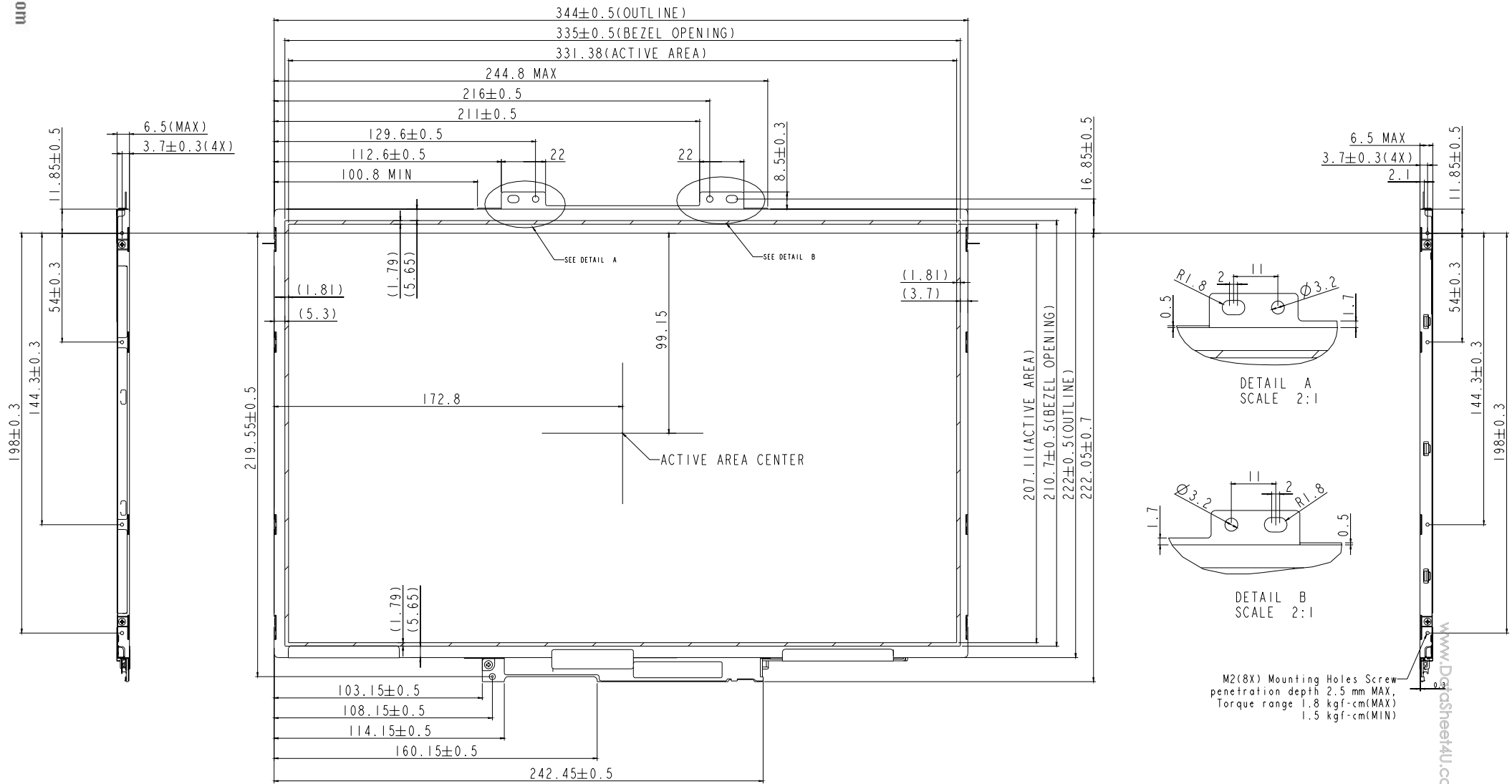
Note1: According to EN61000-4-2 , ESD class B: Some performance degradation allowed. No data lost  
. Self-recoverable. No hardware failures.

Note2: CCFL Life time: 10,000 hours minimum under normal module usage.

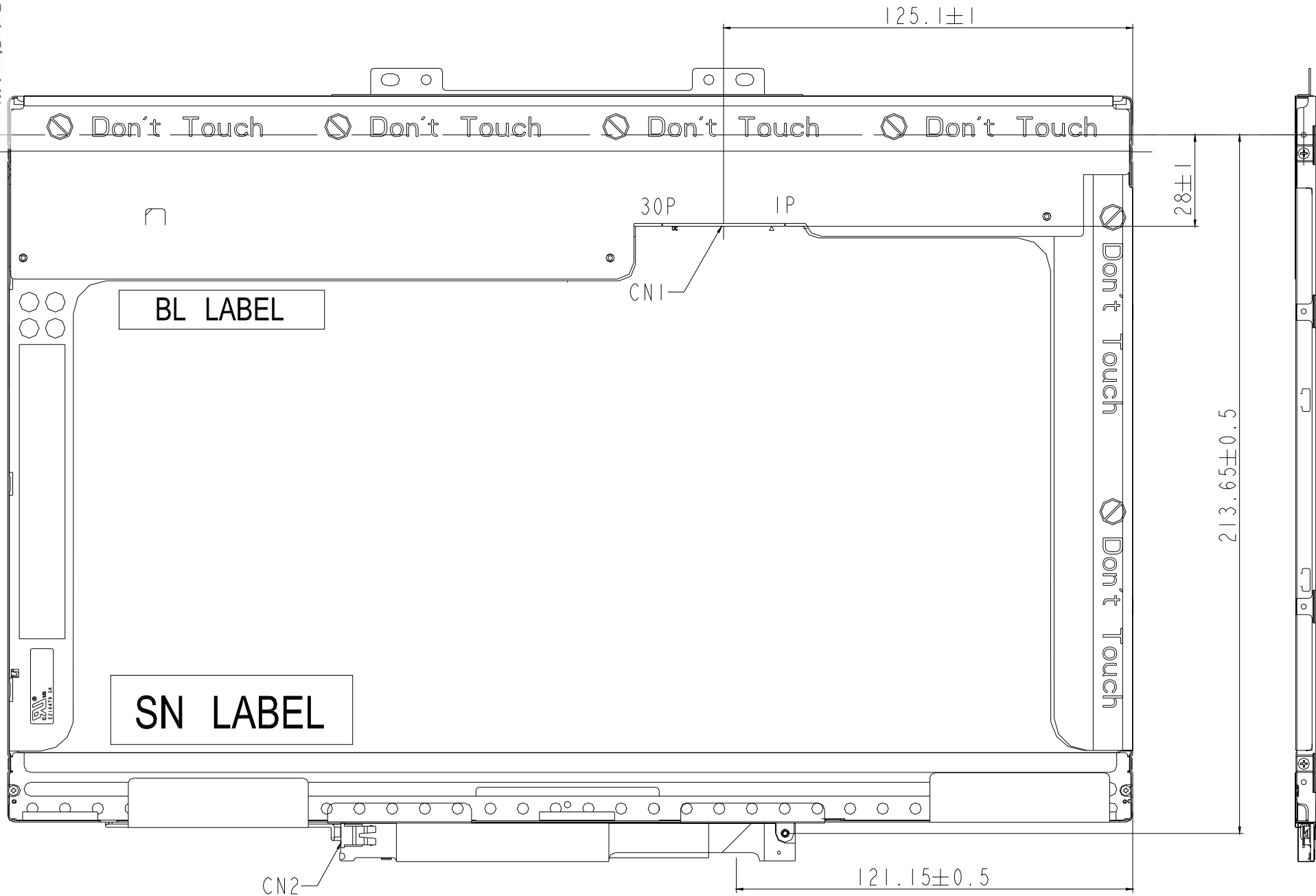
Note3: MTBF (Excluding the CCFL): 30,000 hours with a confidence level 90%

# Mechanical Characteristics

## 5.1 LCM Outline Dimension



M2(8X) Mounting Holes Screw  
 penetration depth 2.5 mm MAX.  
 Torque range 1.8 kgf-cm(MAX)  
 1.5 kgf-cm(MIN)

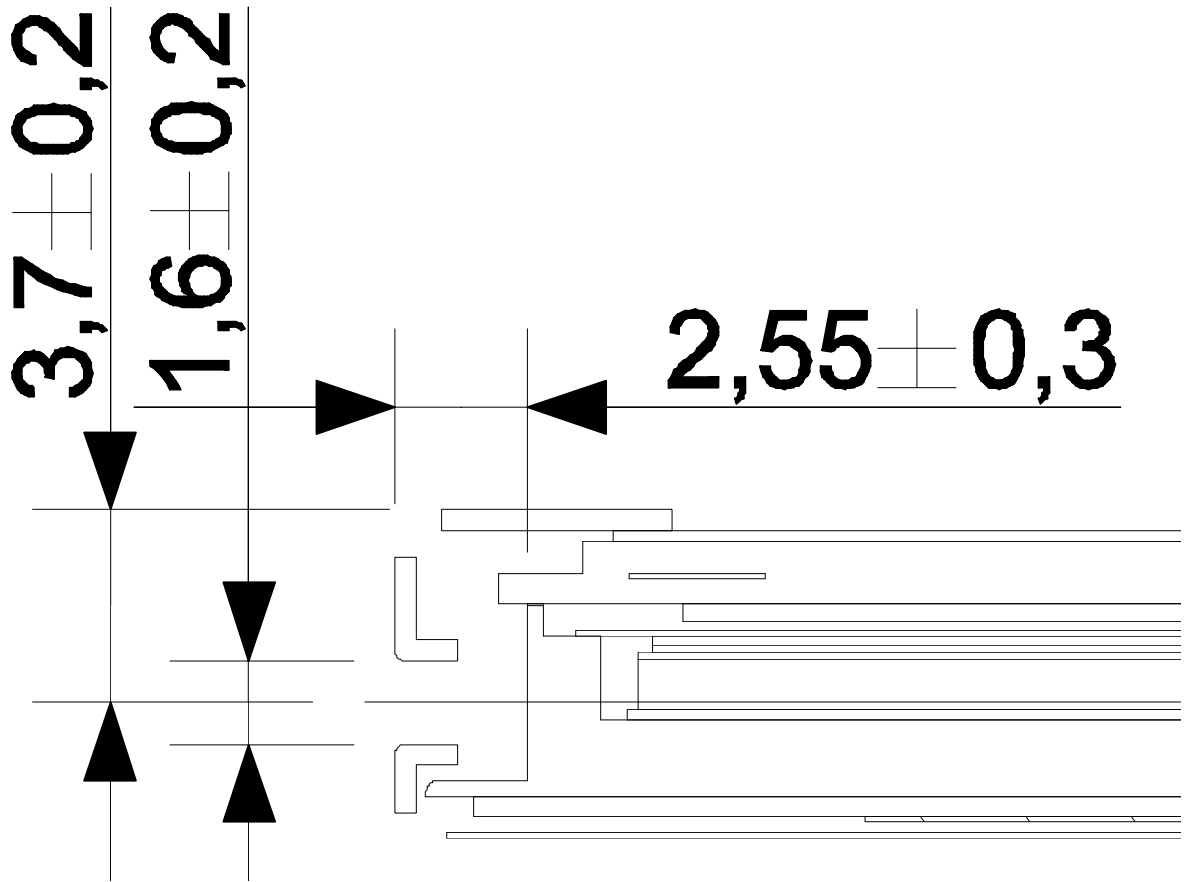


## 10.2 Screw Hole Depth and Center Position

Screw hole minimum depth, from side surface = 2.55 mm (See drawing)

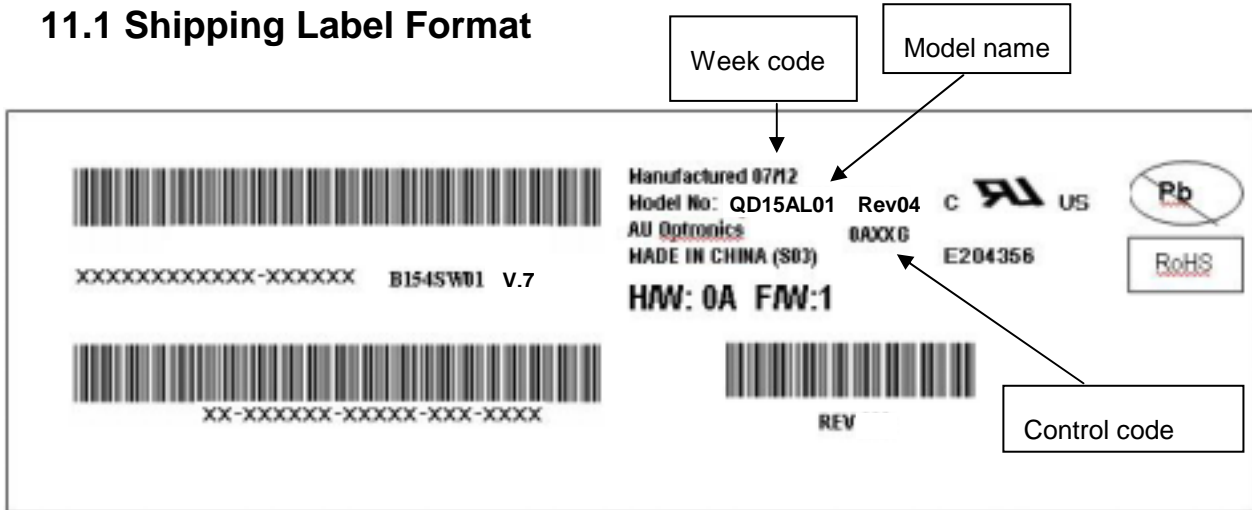
Screw hole center location, from front surface =  $3.7 \pm 0.2$  mm (See drawing)

Screw Torque: Maximum 2.5 kgf-cm



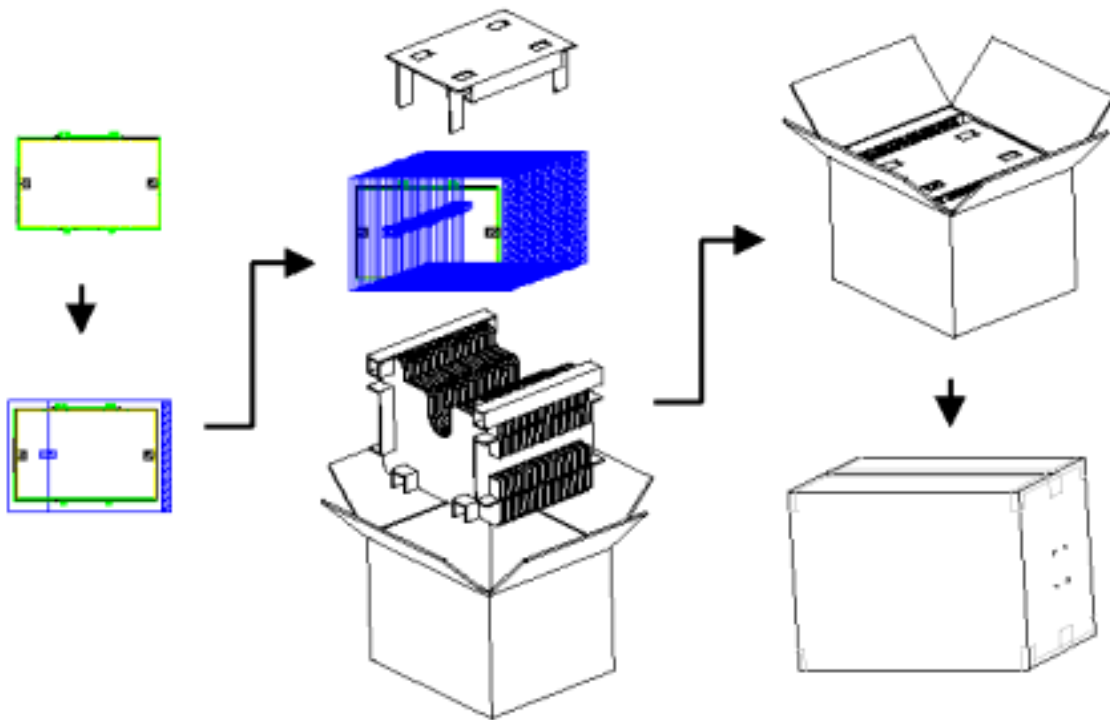
# 11. Shipping and Package

## 11.1 Shipping Label Format

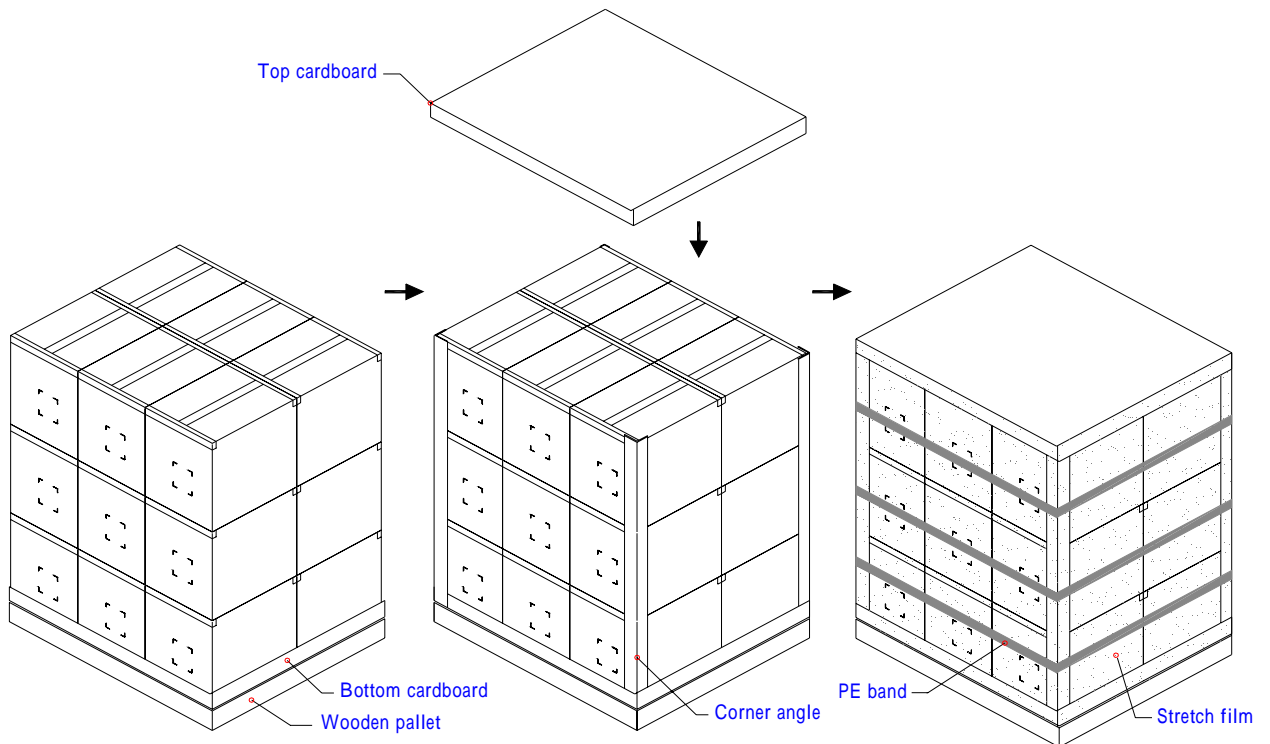


## 11.2. Carton package

The outside dimension of carton is 455 (L)mm x 380 (W)mm x 355 (H)mm



## 11.3 Shipping package of palletizing sequence



Note : Limit of box palletizing = Max 3 layers(ship and stock conditions)



## 12. Appendix: EDID description

**B154SW01 V7 EDID Code**

**Release time**

**2006/10/20 00:00**

Address	FUNCTION	Value	Value	Value	Note
HEX		HEX	BIN	DEC	
00	Header	00	00000000	0	
01		FF	11111111	255	
02		FF	11111111	255	
03		FF	11111111	255	
04		FF	11111111	255	
05		FF	11111111	255	
06		FF	11111111	255	
07		00	00000000	0	
08	EISA Manuf. Code LSB	06	00000110	6	
09	Compressed ASCII	AF	10101111	175	
0A	Product Code	7B	01111011	123	
0B	hex, LSB first	17	00010111	23	
0C	32-bit ser #	00	00000000	0	
0D		00	00000000	0	
0E		00	00000000	0	
0F		00	00000000	0	
10	Week of manufacture	01	00000001	1	
11	Year of manufacture	10	00010000	16	
12	EDID Structure Ver.	01	00000001	1	
13	EDID revision #	03	00000011	3	
14	<b>Video input def.</b> ( <i>digital I/P, non-TMDS, CRGB</i> )	80	10000000	128	
15	<b>Max H image size</b> ( <i>rounded to cm</i> )	22	00100010	34	
16	<b>Max V image size</b> ( <i>rounded to cm</i> )	16	00010110	22	
17	<b>Display Gamma</b> ( <i>=(gamma*100)-100</i> )	78	01111000	120	
18	<b>Feature support</b> ( <i>no DPMS, Active OFF, RGB, tmg Blk#1</i> )	0A	00001010	10	
19	Red/green low bits ( <b>Lower 2:2:2:2 bits</b> )	FF	11111111	255	
1A	Blue/white low bits ( <b>Lower 2:2:2:2 bits</b> )	D5	11010101	213	
1B	Red x ( <b>Upper 8 bits</b> )	90	10010000	144	
1C	Red y/ higher 8 bits	51	01010001	81	
1D	Green x	50	01010000	80	
1E	Green y	8D	10001101	141	
1F	Blue x	2A	00101010	42	
20	Blue y	29	00101001	41	
21	White x	50	01010000	80	
22	White y	54	01010100	84	

23	Established timing 1	00	00000000	0	
24	Established timing 2	00	00000000	0	www.DataSheet4U.com
25	Established timing 3	00	00000000	0	
26	Standard timing #1	01	00000001	1	
27		01	00000001	1	
28	Standard timing #2	01	00000001	1	
29		01	00000001	1	
2A	Standard timing #3	01	00000001	1	
2B		01	00000001	1	
2C	Standard timing #4	01	00000001	1	
2D		01	00000001	1	
2E	Standard timing #5	01	00000001	1	
2F		01	00000001	1	
30	Standard timing #6	01	00000001	1	
31		01	00000001	1	
32	Standard timing #7	01	00000001	1	
33		01	00000001	1	
34	Standard timing #8	01	00000001	1	
35		01	00000001	1	
36	Pixel Clock/10000 LSB	7C	01111100	124	
37	Pixel Clock/10000 USB	2E	00101110	46	
38	Horz active <b>Lower 8bits</b>	90	10010000	144	
39	Horz blanking <b>Lower 8bits</b>	A0	10100000	160	
3A	HorzAct:HorzBlnk <b>Upper 4:4 bits</b>	60	01100000	96	
3B	Vertical Active <b>Lower 8bits</b>	1A	00011010	26	
3C	Vertical Blanking <b>Lower 8bits</b>	1E	00011110	30	
3D	Vert Act : Vertical Blanking <b>(upper 4:4 bit)</b>	40	01000000	64	
3E	HorzSync. Offset	30	00110000	48	
3F	HorzSync.Width	20	00100000	32	
40	VertSync.Offset : VertSync.Width	36	00110110	54	
41	Horz&Vert Sync Offset/Width <b>Upper 2bits</b>	00	00000000	0	
42	Horizontal Image Size <b>Lower 8bits</b>	58	01011000	88	
43	Vertical Image Size <b>Lower 8bits</b>	DE	11011110	222	
44	Horizontal & Vertical Image Size <b>(upper 4:4 bits)</b>	10	00010000	16	
45	Horizontal Border <i>(zero for internal LCD)</i>	00	00000000	0	
46	Vertical Border <i>(zero for internal LCD)</i>	00	00000000	0	
47	Signal <i>(non-intr, norm, no stero, sep sync, neg pol)</i>	18	00011000	24	
48	Detailed timing/monitor	00	00000000	0	
49	descriptor #2	00	00000000	0	
4A		00	00000000	0	
4B		0F	00001111	15	

4C		00	00000000	0	
4D		00	00000000	0	www.DataSheet4U.com
4E		00	00000000	0	
4F		00	00000000	0	
50		00	00000000	0	
51		00	00000000	0	
52		00	00000000	0	
53		00	00000000	0	
54		00	00000000	0	
55		00	00000000	0	
56		00	00000000	0	
57		00	00000000	0	
58		00	00000000	0	
59		20	00100000	32	
5A	Detailed timing/monitor	00	00000000	0	
5B	descriptor #3	00	00000000	0	
5C		00	00000000	0	
5D		FE	11111110	254	
5E		00	00000000	0	
5F	Manufacture	41	01000001	65	<b>A</b>
60	Manufacture	55	01010101	85	<b>U</b>
61	Manufacture	4F	01001111	79	<b>O</b>
62		0A	00001010	10	
63		20	00100000	32	
64		20	00100000	32	
65		20	00100000	32	
66		20	00100000	32	
67		20	00100000	32	
68		20	00100000	32	
69		20	00100000	32	
6A		20	00100000	32	
6B		20	00100000	32	
6C	Detailed timing/monitor	00	00000000	0	
6D	descriptor #4	00	00000000	0	
6E		00	00000000	0	
6F		FE	11111110	254	
70		00	00000000	0	
71	Manufacture P/N	42	01000010	66	<b>B</b>
72	Manufacture P/N	31	00110001	49	<b>1</b>
73	Manufacture P/N	35	00110101	53	<b>5</b>
74	Manufacture P/N	34	00110100	52	<b>4</b>

<b>75</b>	Manufacture P/N	53	01010011	83	<b>S</b>
<b>76</b>	Manufacture P/N	57	01010111	87	<b>W</b>
<b>77</b>	Manufacture P/N	30	00110000	48	<b>0</b>
<b>78</b>	Manufacture P/N	31	00110001	49	<b>1</b>
<b>79</b>	Manufacture P/N	20	00100000	32	
<b>7A</b>	Manufacture P/N	56	01010110	86	<b>V</b>
<b>7B</b>	Manufacture P/N	37	00110111	55	<b>7</b>
<b>7C</b>		20	00100000	32	
<b>7D</b>		0A	00001010	10	
<b>7E</b>	Extension Flag	00	00000000	0	
<b>7F</b>	Checksum	49	01001001	73	